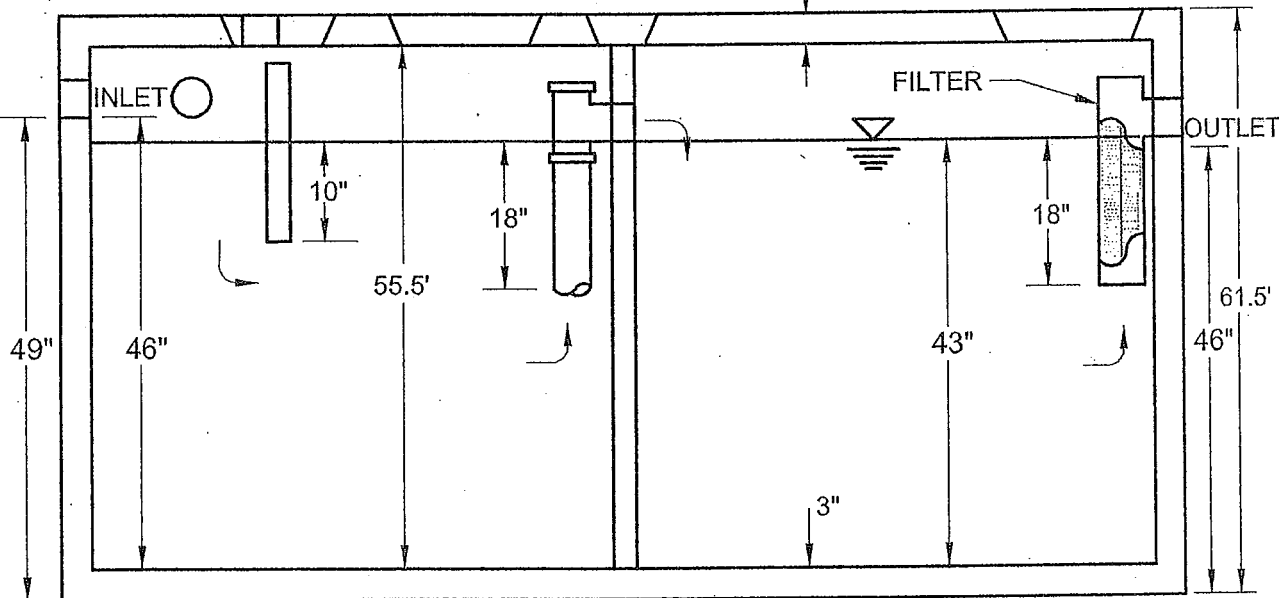


BAFFLE - CAST IN PLACE
 PIPE SEALS - HIGH PRESSURE BOOT
 TANK SEAL - FEDERAL SPEC. ASTM C990
 CONCRETE - STEEL REINFORCED
 - 28 DAY 6100 PSI

EACH CHAMBER
 527 GALLON
 12.1 GAL PER INCH



Concrete 1000 gal. Partition Tank With Effluent Filter



LYCOMING VAULT AND PRECAST LLC

350 Spruce Street Montoursville, PA 17704

Phone: (570) 368-8642 Toll Free: (800) 640-0052 Fax: (570) 368-2299

Drawn by: Wentz & Webster Engineering 11/21/08