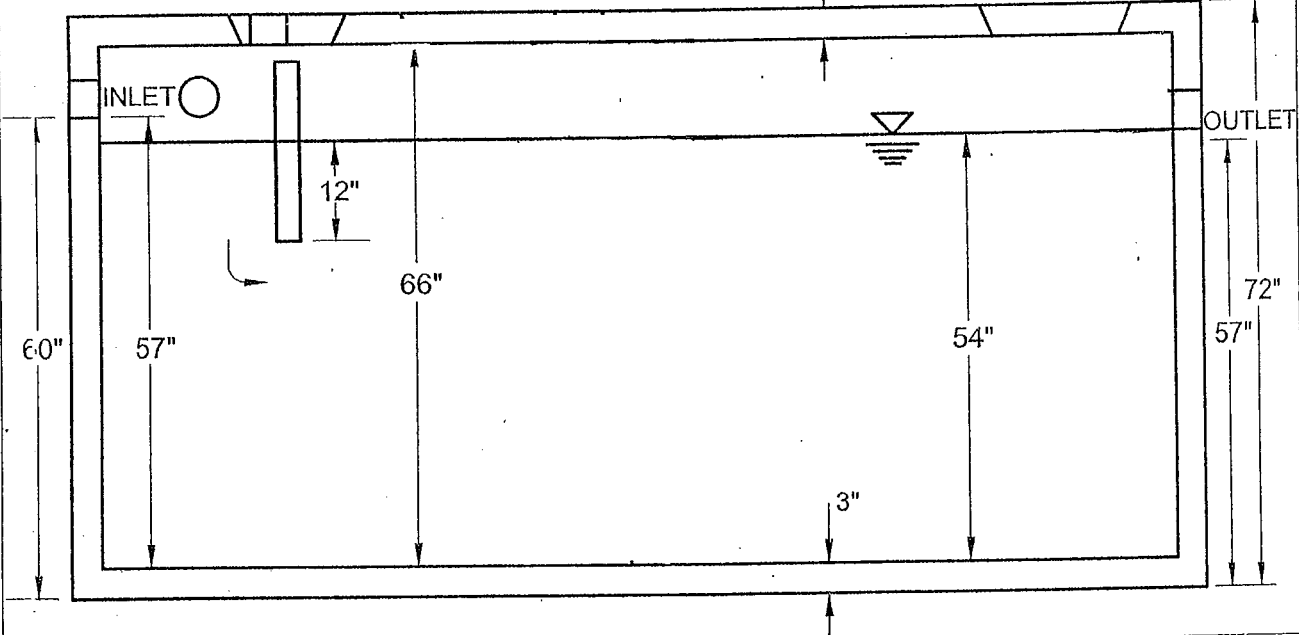


BAFFLE - CAST IN PLACE  
 PIPE SEALS - HIGH PRESSURE BOOT  
 TANK SEAL - FEDERAL SPEC. ASTM C990  
 CONCRETE - STEEL REINFORCED  
 - 28 DAY 6100 PSI

1350 GALLON  
 25 GAL PER INCH



### Concrete 1250 Gallon Open Septic Tank

LYCOMING VAULT AND PRECAST LLC



350 Spruce Street Montoursville, PA 17754  
 Phone: (570) 368-8642 Toll Free: (800) 640-0052 Fax: (570) 368-2299

Drawn by: Wentz & Webster Engineering 11/21/08