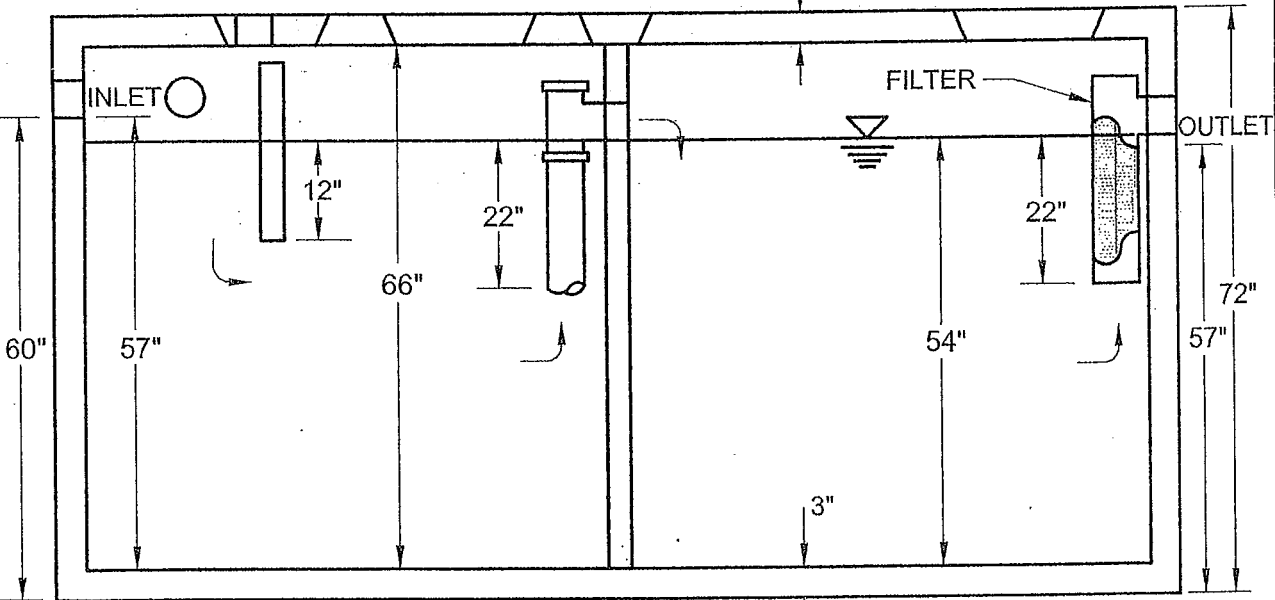


BAFFLE - CAST IN PLACE
 PIPE SEALS - HIGH PRESSURE BOOT
 TANK SEAL - FEDERAL SPEC. ASTM C990
 CONCRETE - STEEL REINFORCED
 - 28 DAY 6100 PSI

EACH CHAMBER
 675 GALLON
 12.27 GAL PER INCH



Concrete 1250 gal. Partition Septic Tank With Effluent Filter



LYCOMING VAULT AND PRECAST LLC

350 Spruce Street Montoursville, PA 17754

Phone: (570) 368-8642 Toll Free: (800) 640-0052 Fax: (570) 368-2299

Drawn by: Wentz & Webster Engineering 11/21/08