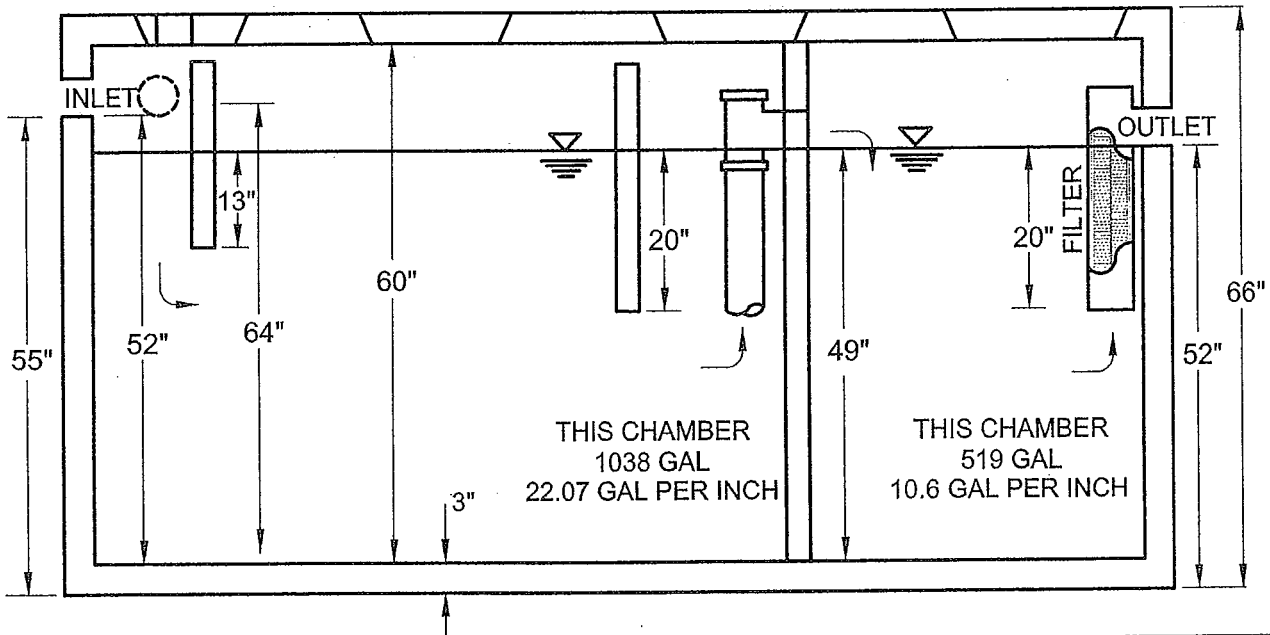


BAFFLE - CAST IN PLACE  
 PIPE SEALS - HIGH PRESSURE BOOT  
 TANK SEAL - FEDERAL SPEC. ASTM C990  
 CONCRETE - STEEL REINFORCED  
 - 28 DAY 6100 PSI



## Concrete 1500 gal. 2 Compartment Septic Tank With Effluent Filter



**LYCOMING VAULT AND PRECAST LLC**

350 Spruce Street Montoursville, PA 17754

Phone: (570) 368-8642 Toll Free: (800) 640-0052 Fax: (570) 368-2299

Drawn by: Wents & Webster Engineering 11/21/08