

LPB

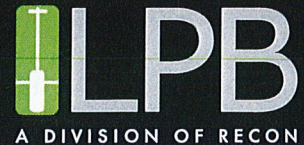
The SOLUTION you've been waiting for!

- Fast, easy and efficient installation
- Produced in a controlled environment ensuring quality and consistency
- Availability when you need it
- Unique universal features to meet your project needs
- Engineered and tested
- Backed by a team with the knowledge and resources to make your next project a success

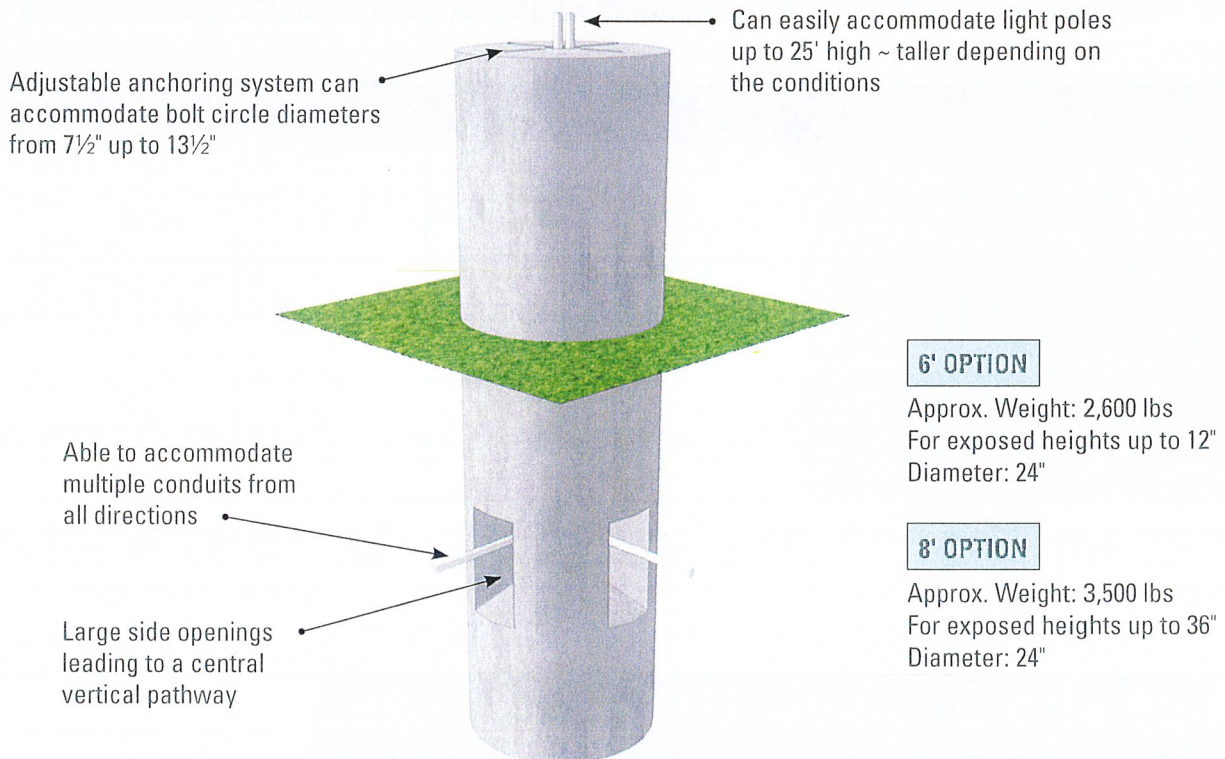


The Future of Precast Light Pole Bases

Visit lightpolebase.com for more information.



Check out our universal features...



In stock - sizes vary by manufacturer. Check with your local producer for size and availability.

Fast, Easy and Efficient Installation

**LPB arrives on site ready to install.
All you need to do is...**

- Auger a hole
- Place and level the LPB
- Backfill and compact
- Thread in the rods and grout the slots
- Install the pole

...it's that simple!



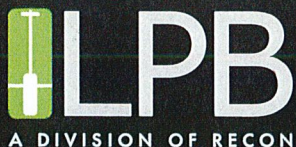
The Future of Precast **Light Pole Bases**

When it comes to engineering, we've done the hard part!

- Independent testing of the LPB Anchoring System has been completed along with third party review
- Comprehensive Engineering Reference Manual that outlines the design process
- Design tables available for quick reference
- All the tools necessary for industry engineers to quickly verify project specific designs

LPB - Summary Table					
Pole Height (ft)	30	25	20	25	20
Pole Shape	Round	Round	Round	Square	Square
Pole Diameter/Width (in)	6	4	4	6	4
Fixture Contact Area (ft ²)	4				
Minimum Bolt Circle Diameter (in)	9.0	7.5	7.5	9.5	7.5
Maximum Exposed Height (ft)	2.9	3.0	3.0	2.7	3.0

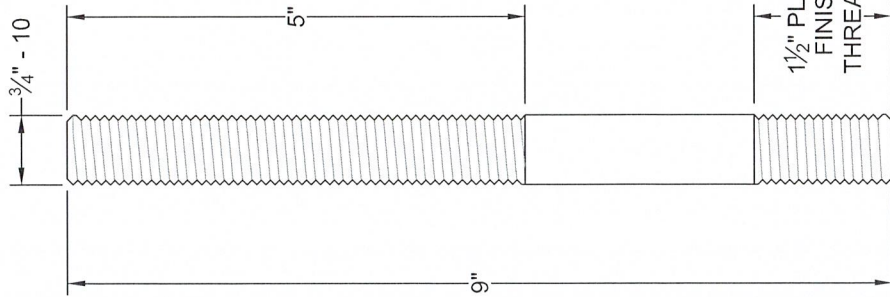
Assumes 8' tall foundation, 105 mph wind speed (Exposure C), and foundation soils with a phi angle of 30 degrees. Refer to the LPB Engineering Reference Manual for additional information on design and analysis. Final design of all LPB's shall be completed by a Professional Engineer.



LPB is produced and marketed pursuant to a license agreement with ReCon Wall Systems, Inc., 7600 West 27th St., #229, St. Louis Park, MN 55426
Patents Issued: US 8,991,122 and US 9,624,640
www.lightpolebase.com

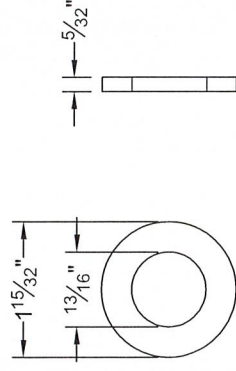
Distributed by:

Lycoming Vault & Precast LLC
350 Spruce Street
Montoursville, PA 17764

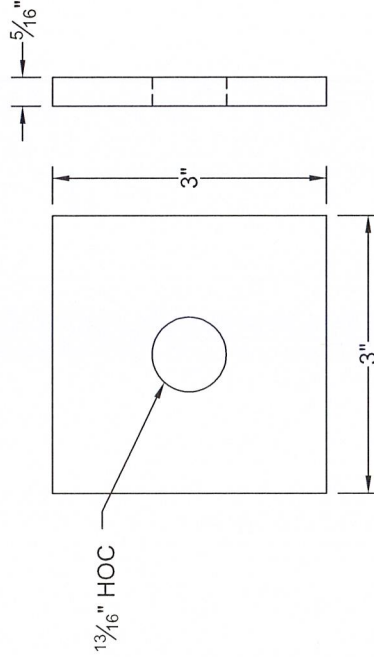


THREADED ROD
 ASTM F1554 GRADE 55
 GALV. PER ASTM F2329 AND A153

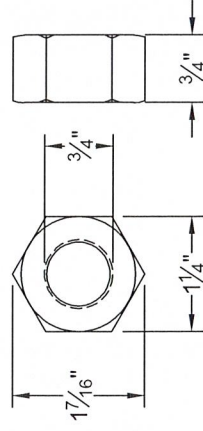
<p>LPB INSTALLATION BILL OF MATERIALS (QUANTITY REQ'D PER LPB)</p>
<p>(4) THREADED RODS</p>
<p>(4) BEARING WASHERS</p>
<p>(12) HEAVY HEX NUTS</p>
<p>(8) HARDENED FLAT WASHERS</p>



HARDENED FLAT WASHER
 ASTM F436
 GALV. PER ASTM F2329 AND A153



BEARING WASHER
 ASTM A36
 GALV. PER ASTM F2329 AND A153



HEAVY HEX NUT
 ASTM A194 GRADE 2H
 GALV. PER ASTM F2329 AND A153

© Copyright, 2019 ReCon Wall Systems, Inc. All Rights Reserved

Disclaimer: This drawing has been prepared by ReCon Wall Systems, Inc. and to the best of its knowledge, accurately represents the product use in the application that it is illustrated. This drawing is intended for conceptual purposes only. Anyone making use of this drawing does so at their own risk and assumes all liability for such use. Final design for construction purposes must be completed by a Registered Professional Engineer who is familiar with the product and who has taken into account specific site conditions.



DRAWING #5004

**LPB
 INSTALLATION HARDWARE**

RECON WALL SYSTEMS, INC.
 7600 W. 27th STREET, #229
 ST. LOUIS PARK, MN 55426
 952-922-0027
 www.lightpolebase.com

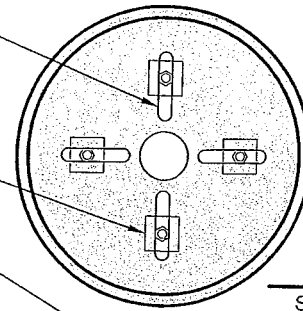
MATERIALS:

1. CONCRETE: MIN. 5000 psi @ 28 DAYS
2. REBAR: ASTM A615 GRADE 60
3. ANCHOR RODS: ASTM F1554 GRADE 55
4. BEARING PLATES: ASTM A36
5. NUTS: ASTM A194 GRADE 2H
6. WASHERS: ASTM F436

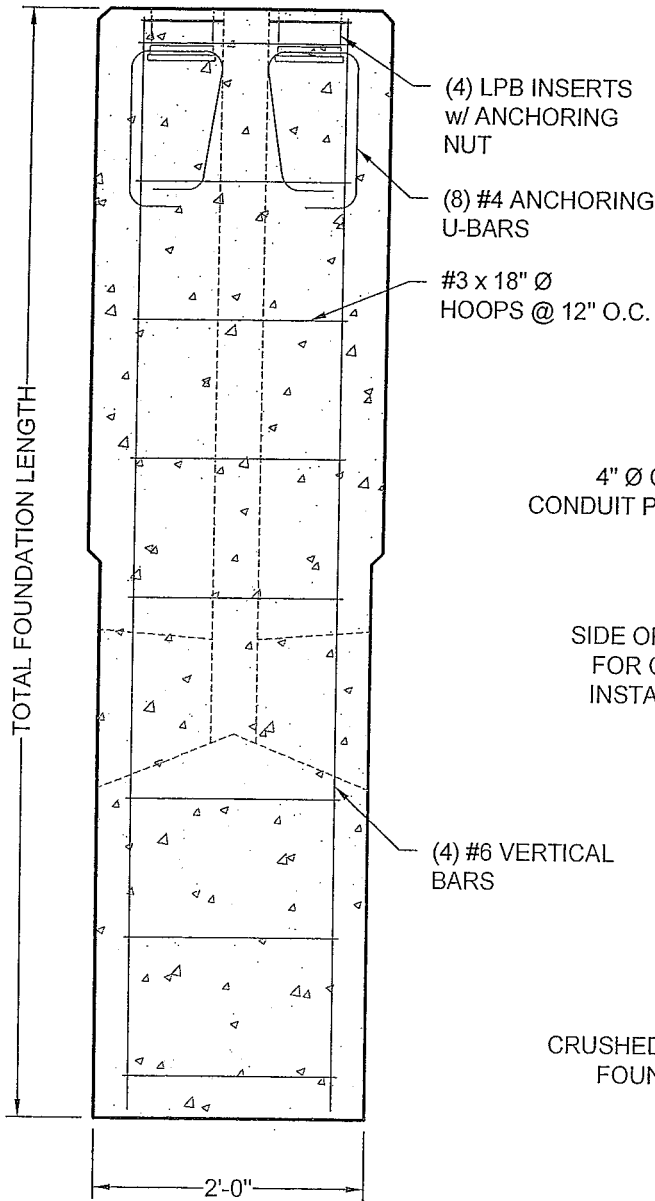
NOTE:

CONTACT LOCAL PRODUCER FOR AVAILABLE PRODUCT LENGTHS

- 4 SLOT ADJUSTABLE ANCHORING SYSTEM (7.5" TO 13.5" BOLT CIRCLE DIA.)
- (4) 3" x 3" x 5/16" BEARING PLATE AND NUT
- (4) 3/4" Ø ANCHOR ROD

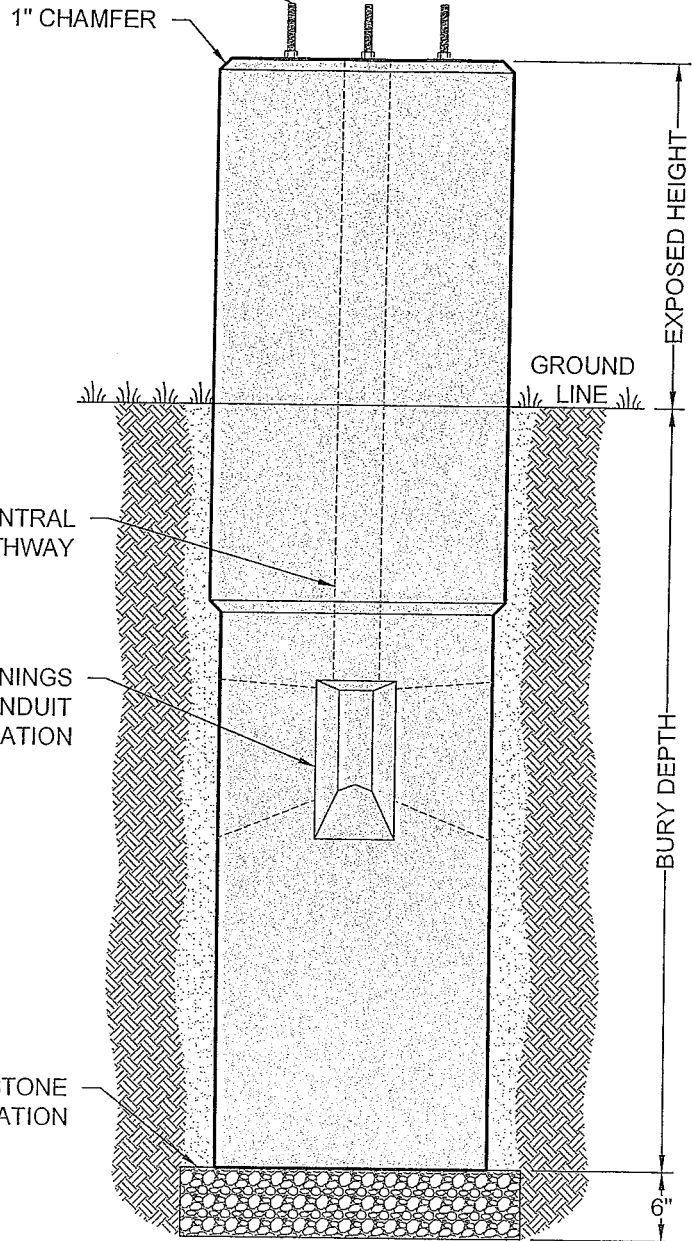


TOP VIEW
SCALE: 3/4" = 1'-0"



PRODUCT SECTION VIEW

SCALE: 3/4" = 1'-0"



INSTALLED PRODUCT VIEW

SCALE: 3/4" = 1'-0"

Disclaimer: This drawing has been prepared by LPB - A Division of ReCon and to the best of its knowledge, accurately represents the product use in the application that it is illustrated. This drawing is intended for conceptual purposes only. Anyone making use of this drawing does so at their own risk and assumes all liability for such use. Final design for construction purposes must be completed by a Registered Professional Engineer who is familiar with the product and who has taken into account specific site conditions.



LPB
CLASSIC

LPB - A DIVISION OF RECON
952-922-0027
www.lightpolebase.com

© Copyright 2020 LPB - A Division of ReCon. All Rights Reserved